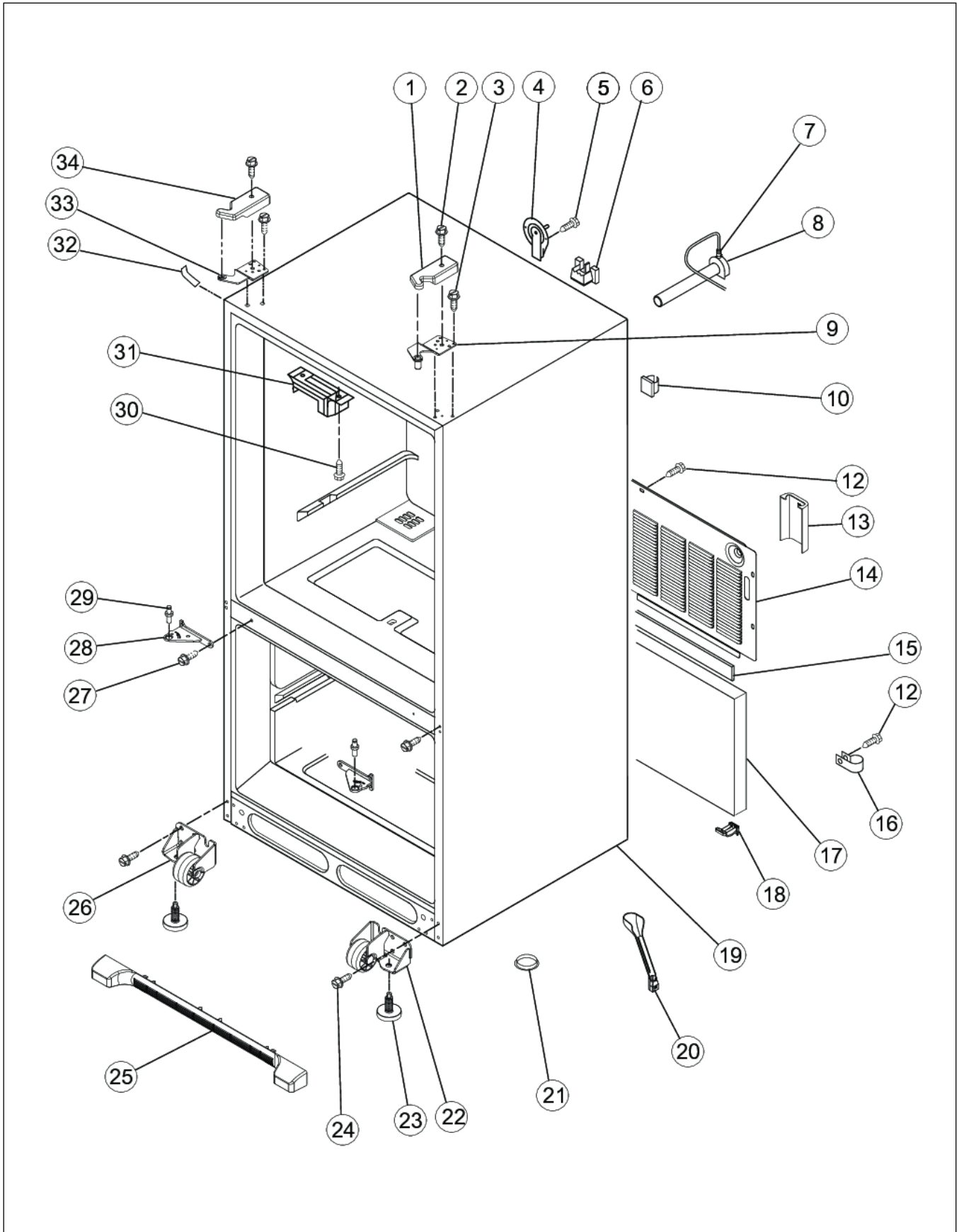


VCFF136SSS8

CABINET	1
FZ DOOR	2
FZ LINER	3
ICE MAKER	4
REF DOOR	5
REF LINER	6
SHELVES	7
UNIT	8
Appendix A:Pages Index	A
Appendix B:Parts Index	B

CABINET

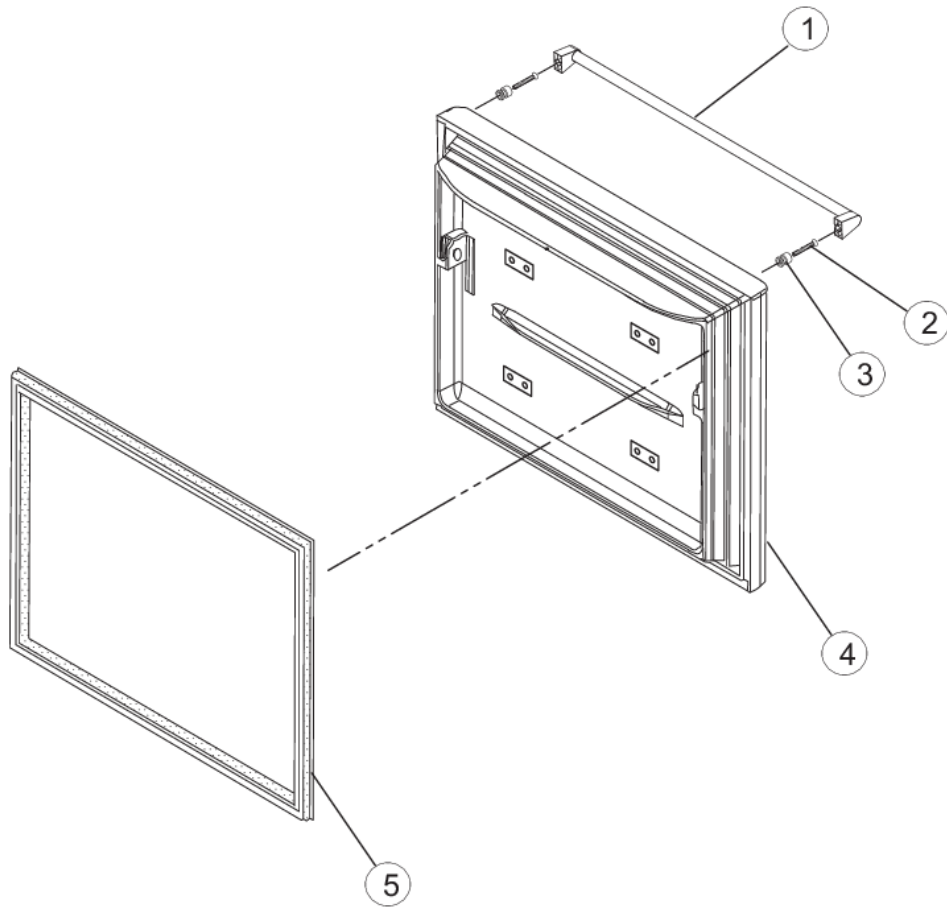


Item	Part No.	Name	Qty	Uom	NOTES
1	021452-000	COVER, RIGHT HINGE, APOLLO GREY	1	EA	
2	021734-000	SCREW	2	EA	
3	021733-000	SCREW	6	EA	
4	021685-000	COVER, WATER LINE	1	EA	Not available online / Call for pricing and availability
5	021711-000	SCREW	1	EA	
6	021688-000	BLOCK, FILL TUBE	1	EA	
7	021795-000	CLIP	1	EA	
8	PS400185	ELBOW, FILL TUBE	1	EA	
9	PS400006	HINGE, TOP RIGHT	1	EA	
10	PS400180	CLIP	2	EA	
12	PS400129	SCREW, SMALL (67006425)	10	EA	
13	021820-000	COVER-WATER VALVE	1	EA	
14	021823-000	COVER, UNIT	1	EA	
15	021790-000	GASKET	1	EA	
16	021794-000	CLAMP, TUBE	1	EA	
17	021697-000	INSULATION, SOUND	1	EA	
18	021700-000	SWEEP, DUAL TUBE	1	EA	
19	N/P	CABINET	1	EA	
	NOTE	(NOT FIELD REPLACEABLE)			
20	028580-000	P TRAP DRAIN	1	EA	
21	PS400097	PLUG, BUTTON	1	EA	
22	021847-000	ROLLER ASSY., FRONT RIGHT	1	EA	
23	011488-000	BRAKE, FOOT	1	EA	
24	021728-000	SCREW	8	EA	
25	PS400103	GRILLE, TOE, BLACK	1	EA	
26	021848-000	ROLLER ASSY., FRONT LEFT	1	EA	
27	021730-000	SCREW	6	EA	
28	020629-000	HINGE, CENTER, APOLLO GREY	2	EA	
29	021662-000	PIN, CENTER HINGE	2	EA	
30	021709-000	SCREW	2	EA	



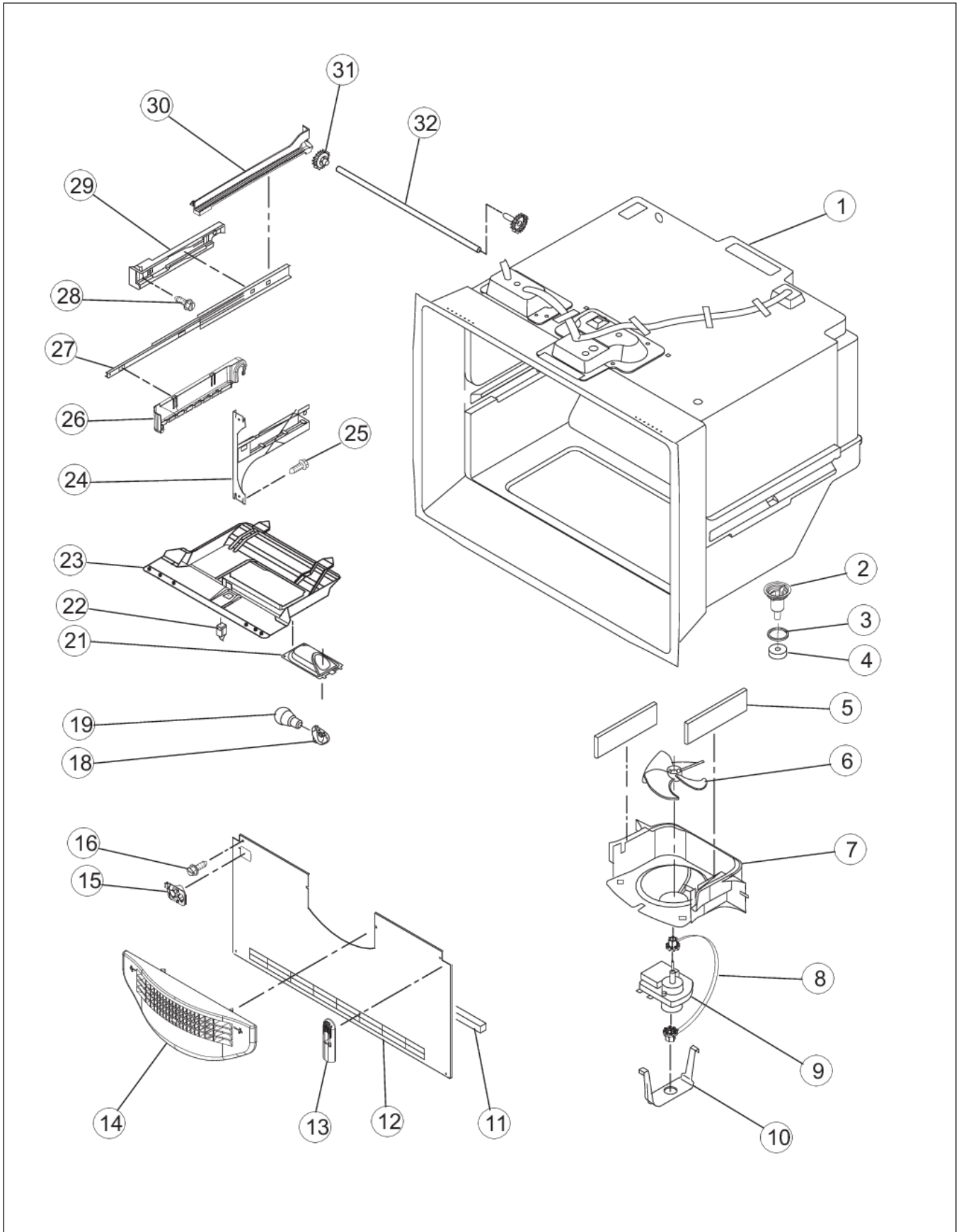
Item	Part No.	Name	Qty	Uom	NOTES
31	021679-000	BLOCK, PIVOT	1	EA	
32	017004-000	COVER, CORNER, APOLLO GREY	2	EA	
33	021768-000	HINGE, TOP LEFT - SUBS TO PS400217	1	EA	
34	021916-000	COVER, LEFT HINGE, APOLLO GREY	1	EA	
NI	021673-000	VALVE, WATER INLET	1	EA	

FZ DOOR



Item	Part No.	Name	Qty	Uom	NOTES
1	021610-000	HANDLE, STAINLESS STEEL	1	EA	NO LONGER AVAILABLE
2	021918-000	SCREW	2	EA	
3	021567-000	STUD, HANDLE	2	EA	
4	028672-000	DOOR, FREEZER (SS)	1	EA	NO LONGER AVAILABLE
5	021869-000	GASKET, FREEZER DOOR (APOLLO GREY)	1	EA	

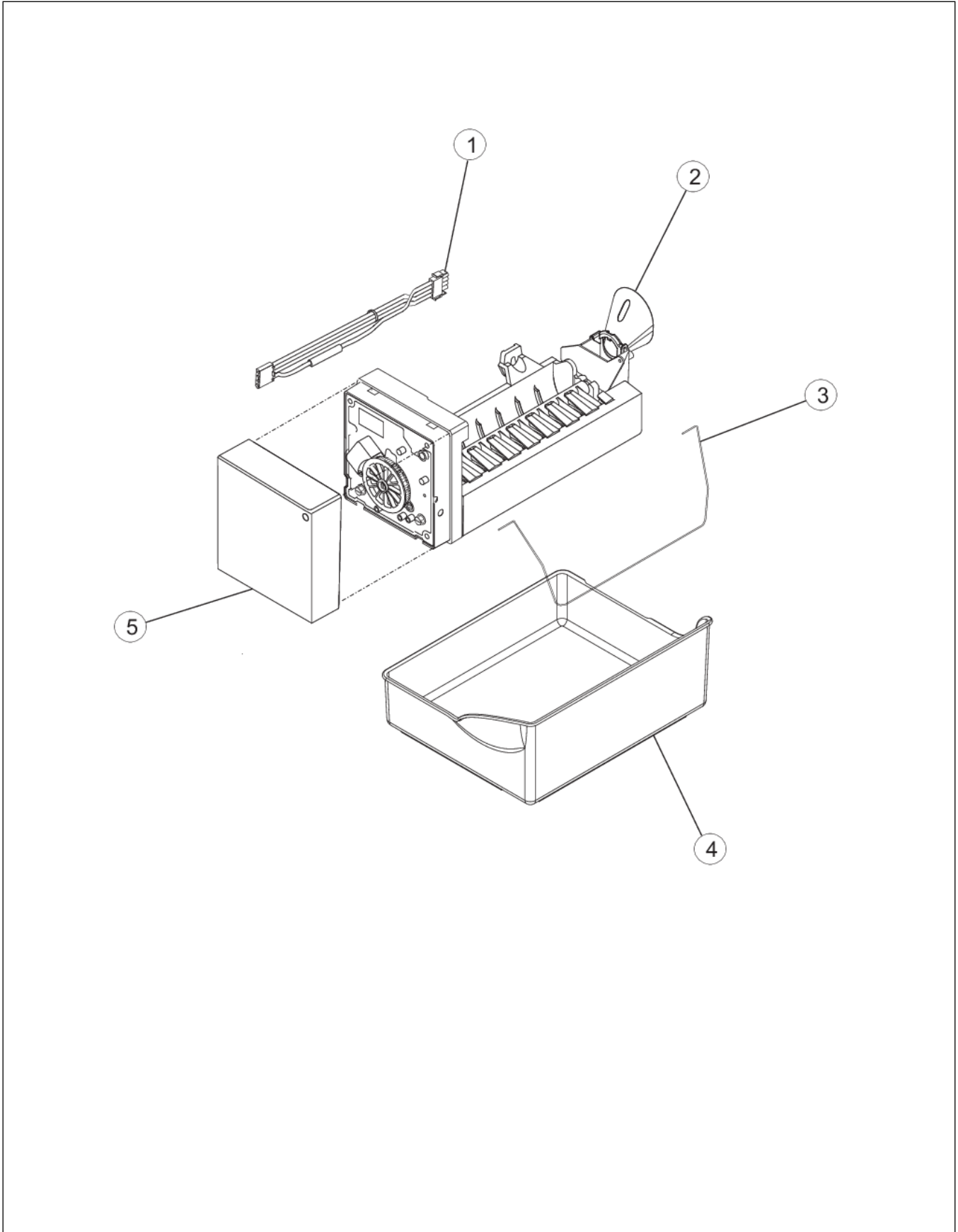
FZ LINER



Item	Part No.	Name	Qty	Uom	NOTES
1	N/P	LINER	1	EA	
	NOTE	(NOT FIELD REPLACEABLE)			
2	PS400092	FUNNEL, DRAIN	1	EA	
3	PS400091	SEAL, O-RING	1	EA	
4	PS400090	GASKET, DRAIN TUBE	1	EA	
5	021787-000	GASKET, FOAM	1	EA	
6	021741-000	BLADE, FAN (EVAPORATOR)	1	EA	
7	021738-000	SHROUD, EVAPORATOR FAN	1	EA	
8	011508-000	GROMMET	1	EA	
9	PS400139	MOTOR, EVAPORATOR FAN (67003636)	1	EA	
10	021739-000	CLIP, EVAP MOTOR	1	EA	
11	021788-000	GASKET, FOAM	1	EA	
12	021874-000	COVER, EVAPORATOR	1	EA	
13	021696-000	COVER, THERMISTOR	1	EA	
14	021736-000	GRILLE, FZ AIR	1	EA	
15	021704-000	GUIDE, FILL TUBE	1	EA	
16	PS400129	SCREW, SMALL (67006425)	4	EA	
18	PS400053	LIGHT SOCKET (12570701)	1	EA	
19	021955-000	BULB, LIGHT	1	EA	
21	021934-000	FOIL-FZ LIGHT	1	EA	
22	021669-000	SWITCH, LIGHT	1	EA	
23	021932-000	MODULE, LIGHT	1	EA	
24	010915-000	BRACKET, DOOR, LEFT	1	EA	
24	010916-000	BRACKET, DOOR, RIGHT	1	EA	
25	021724-000	SCREW	1	EA	
26	021849-000	CRADLE, BASKET, LEFT	1	EA	
26	021850-000	CRADLE, BASKET, RIGHT	1	EA	
27	021737-000	SLIDE, DRAWER	1	EA	
28	021710-000	SCREW	6	EA	
29	021840-000	ADAPTER, SLIDE, LEFT	1	EA	
29	190896	Wedge	1	EA	
29	021877-000	ADAPTER, SLIDE, RIGHT	1	EA	

Item	Part No.	Name	Qty	Uom	NOTES
30	021851-000	RACK-SIDE-LEFT	1	EA	
30	021852-000	RACK-SLIDE, RIGHT	1	EA	
31	011497-000	GEAR, LT/RT	2	EA	
32	021917-000	SHAFT, RACK	1	EA	
NI	026692-000	KIT, THERMISTOR REPLACEMENT	1	EA	

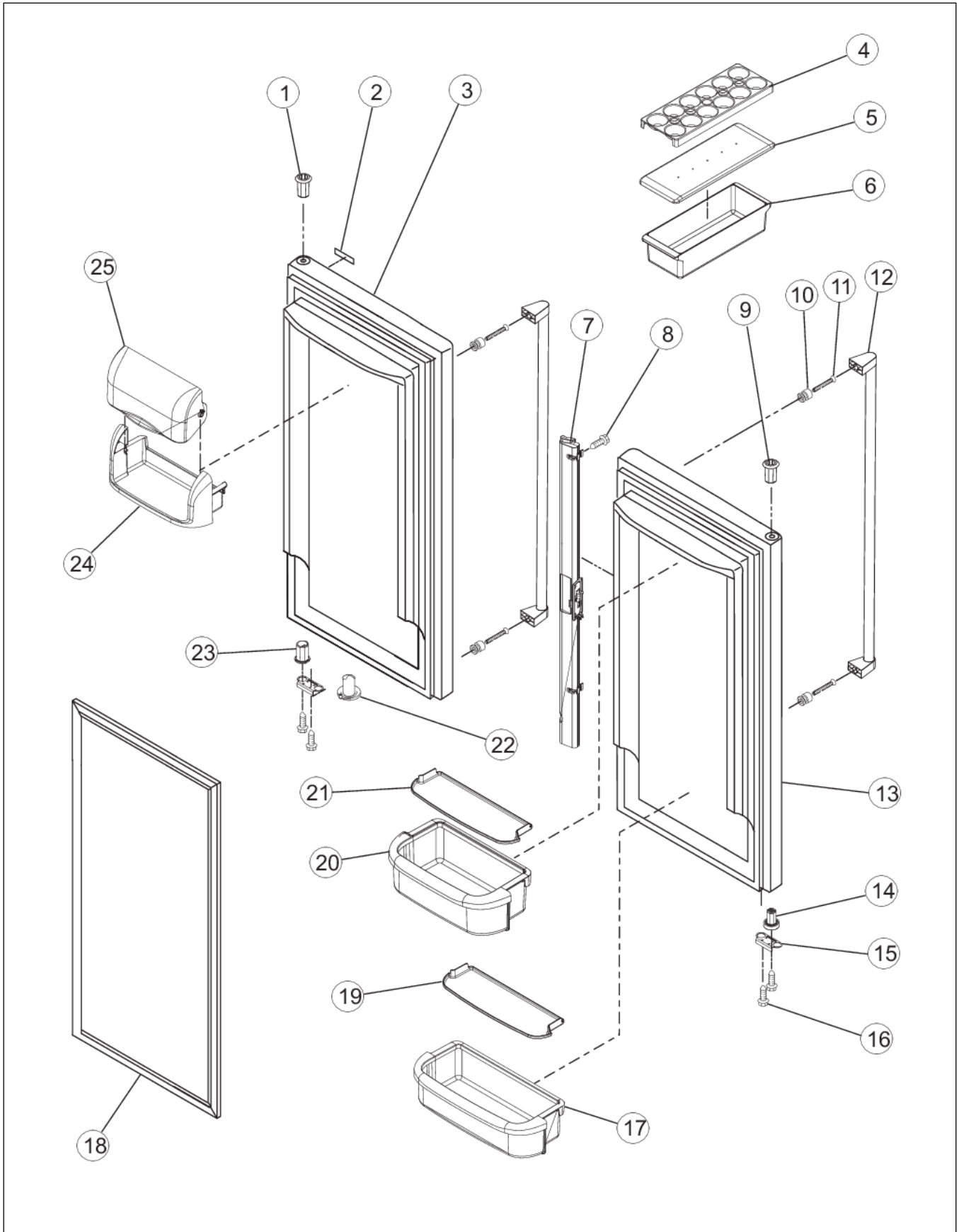
ICE MAKER





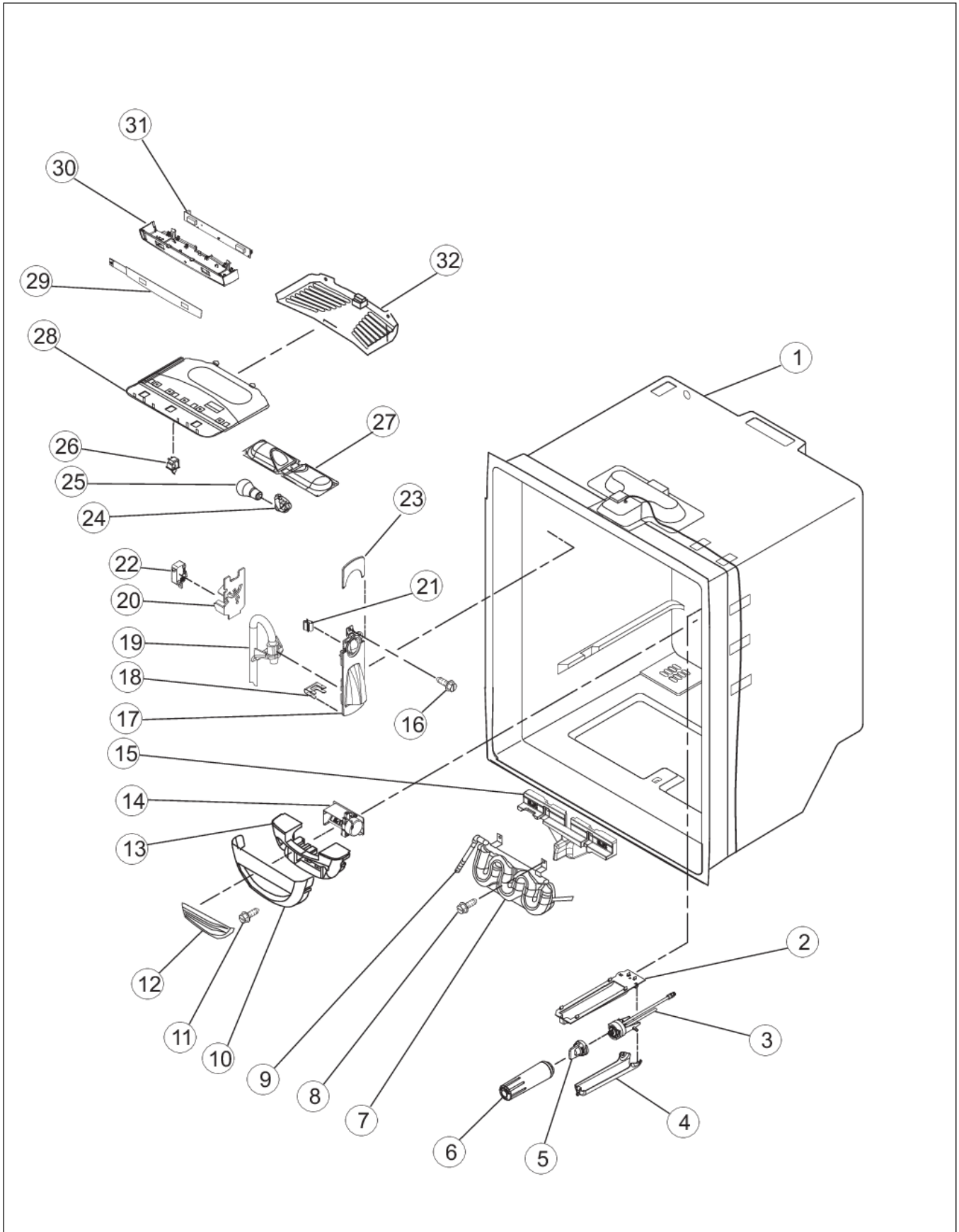
Item	Part No.	Name	Qty	Uom	NOTES
1	021793-000	HARNESS, ICE MAKER	1	EA	
2	021811-000	ICEMAKER ASSY	1	EA	
3	021931-000	ARM, SHUTOFF	1	EA	
4	017060-000	PAN, ICE	1	EA	
5	PS400368	COVER, ICE MAKER	1	EA	
NI	026700-000	COUPLING	1	EA	

REF DOOR



Item	Part No.	Name	Qty	Uom	NOTES
1	021859-000	BUSHING, DOOR, APOLLO GREY (UPPER RIGHT)	1	EA	
2	021569-000	NAMEPLATE (CONTACT VIKING)	1	EA	
3	028679-000	DOOR, RIGHT, STAINLESS	1	EA	
4	017162-000	TRAY, EGG - NLA	1	EA	
5	021747-000	LID, UTILITY	1	EA	NO LONGER AVAILABLE
6	017097-000	BIN, UTILITY	1	EA	NO LONGER AVAILABLE, Not available online / Call for pricing and availability
7	021862-000	MULLION, DOOR, APOLLO GREY	1	EA	
8	021708-000	SCREW	1	EA	
9	021861-000	BUSHING, DOOR, APOLLO GREY (UPPER LEFT)	1	EA	
10	021567-000	STUD, HANDLE	4	EA	
11	021918-000	SCREW	4	EA	
12	021610-000	HANDLE, STAINLESS STEEL	2	EA	NO LONGER AVAILABLE
13	028680-000	DOOR, LEFT, STAINLESS	1	EA	
14	017159-000	BUSHING, DOOR (BOTTOM LEFT)	1	EA	
15	021856-000	STOP, DOOR, APOLLO GREY	2	EA	
16	021711-000	SCREW	4	EA	
17	028347-000	BUCKET, MEDIUM	3	EA	
18	021868-000	GASKET, DOOR, APOLLO GREY	2	EA	
19	021763-000	GRIPPER, MEDIUM BUCKET	3	EA	
20	026687-000	BUCKET, GALLON	2	EA	
21	021764-000	GRIPPER, GALLON BUCKET	2	EA	
22	021860-000	CLOSURE, DOOR, APOLLO GREY	2	EA	
23	021753-000	BUSHING, DOOR (BOTTOM RIGHT)	1	EA	
24	021758-000	TRAY, DAIRY	1	EA	
25	021780-000	DOOR, DAIRY	1	EA	

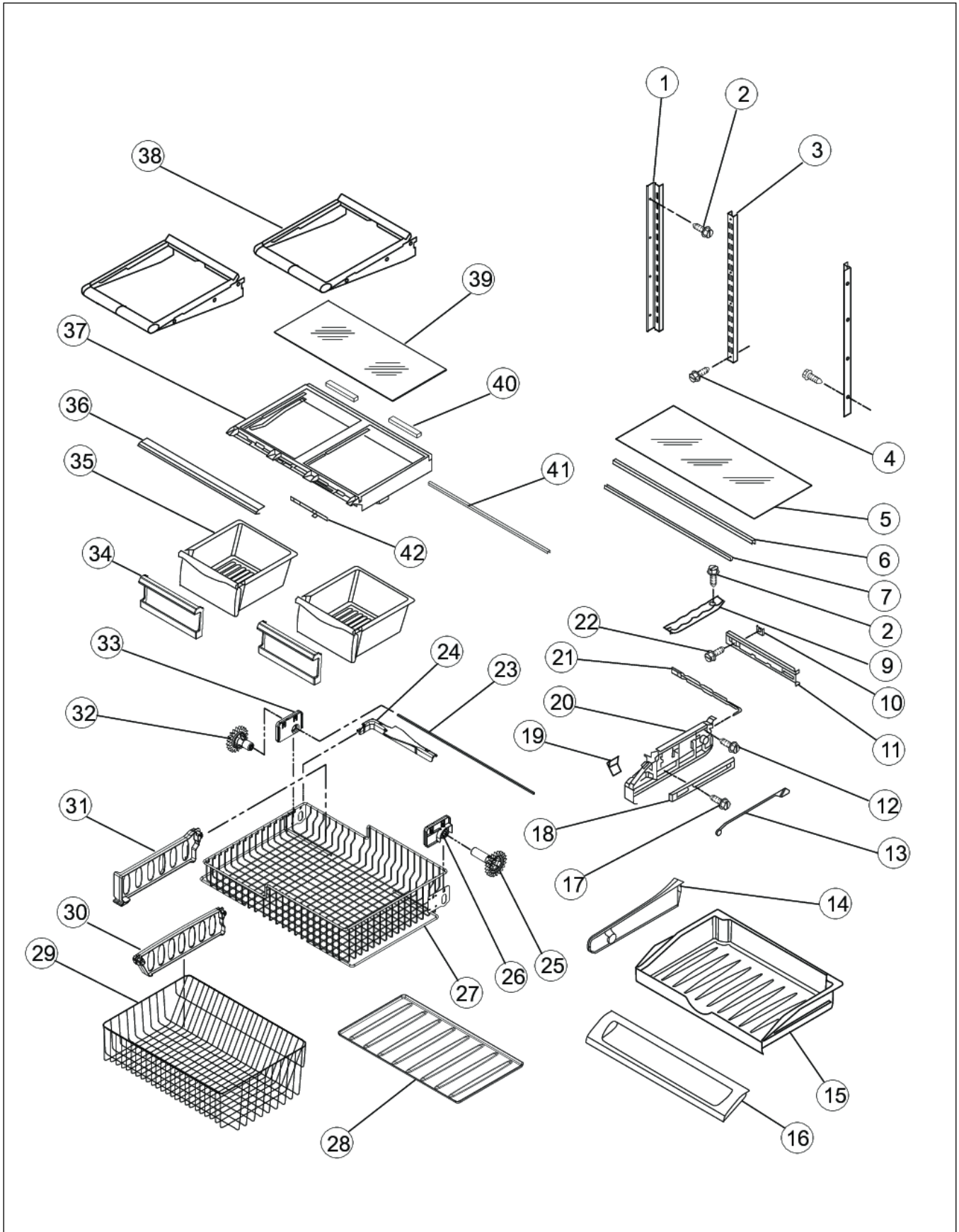
REF LINER



Item	Part No.	Name	Qty	Uom	NOTES
1	N/P	REFRIGERATOR LINER	1	EA	
	NOTE	(NOT FIELD REPLACEABLE)			
2	021681-000	PLATE	1	EA	
3	021674-000	HEAD, WATER FILTER	1	EA	
4	PS400031	COVER, FILTER	1	EA	
5	022157-000	PLUG, BYPASS	1	EA	
6	034463-000	FILTER, WATER	1	EA	
7	021682-000	TANK, WATER	1	EA	
8	021717-000	SCREW	2	EA	
9	PS400040	UNION (5/16 X 5/16)	1	EA	
10	021694-000	COVER, DAMPER	1	EA	
11	021725-000	SCREW	1	EA	Not available online / Call for pricing and availability
12	021695-000	INSERT, DAMPER COVER	1	EA	
13	021735-000	INSULATION	1	EA	
14	021819-000	CONTROL, DAMPER	1	EA	
15	005401-000	INSULATION, WATER TANK	1	EA	
16	PS400129	SCREW, SMALL (67006425)	1	EA	
17	021775-000	FACADE, DISP.	1	EA	
18	PS400037	WATER LINE CLIP (67002816)	1	EA	
19	021776-000	GUIDE, WATERLINE	1	EA	
20	021777-000	PLATE, SWITCH	1	EA	
21	021791-000	CLIP, FAÇADE	2	EA	
22	PS400035	SWITCH, LIMIT	1	EA	
23	021683-000	FAÇADE, DISPENSER (TOP)	1	EA	
24	PS400053	LIGHT SOCKET (12570701)	2	EA	
25	021955-000	BULB, LIGHT	2	EA	
26	021792-000	SWITCH, LIGHT	2	EA	
27	021781-000	LIGHT HOUSING	1	EA	
28	021691-000	MODULE, LIGHT	1	EA	
29	021826-000	OVERLAY	1	EA	
30	021692-000	HOUSING, CONTROL	1	EA	

Item	Part No.	Name	Qty	Uom	NOTES
31	022952-000	CONTROL BOARD	1	EA	
32	021693-000	COVER, LIGHT	1	EA	
NI	022840-000	HARNESS, CONTROL, REF. (INCLUDES THERMISTOR)	1	EA	

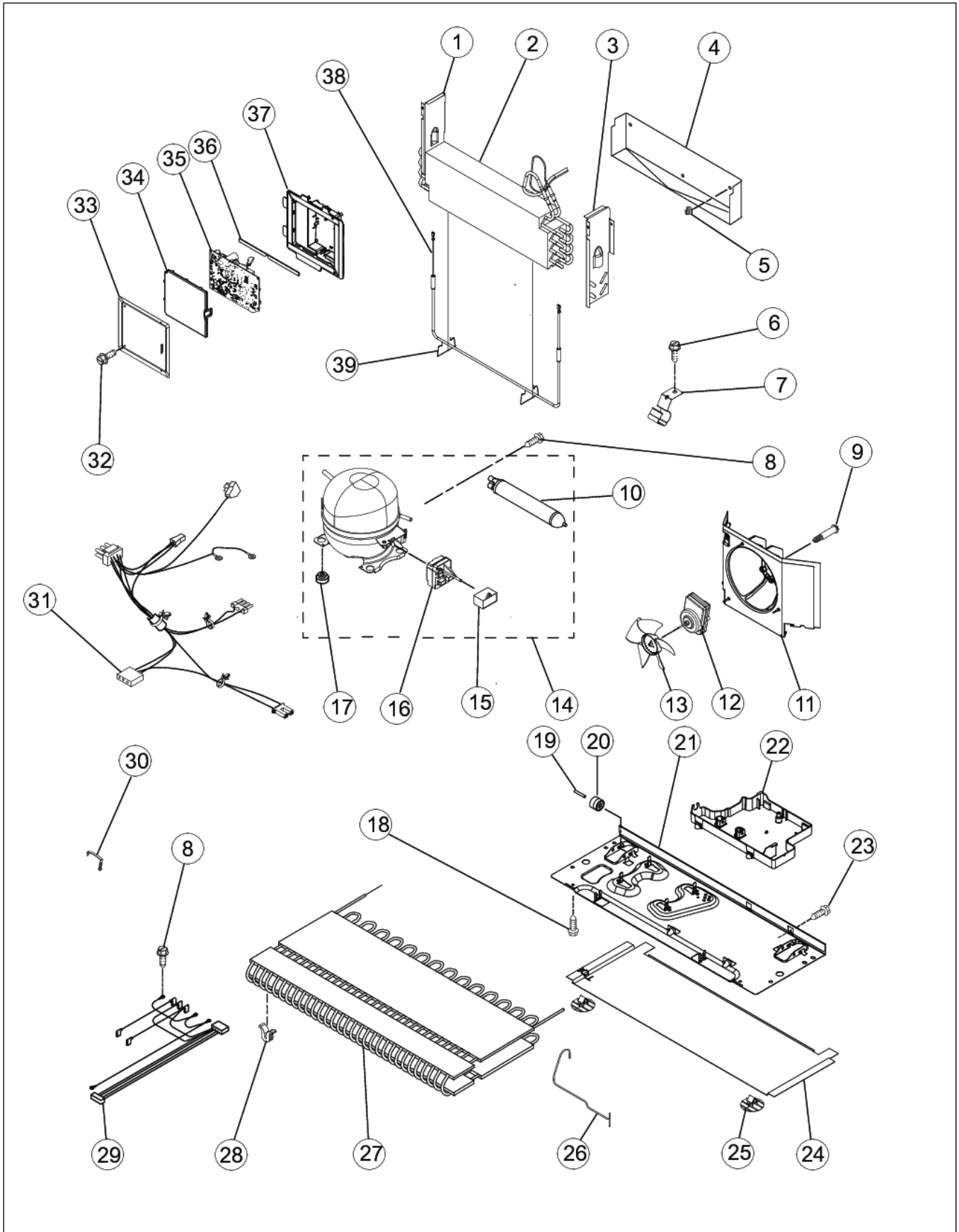
SHELVES



Item	Part No.	Name	Qty	Uom	NOTES
1	021838-000	LADDER, RH / LH	2	EA	Not available online / Call for pricing and availability
2	PS400129	SCREW, SMALL (67006425)	6	EA	
3	021846-000	LADDER, CENTER	1	EA	
4	021910-000	SCREW	2	EA	
5	021664-000	GLASS, PANTRY	1	EA	
6	021773-000	SUPPORT, PANTRY	2	EA	
7	021756-000	BRACE, PANTRY	2	EA	
9	021672-000	TRACK, PANTRY	1	EA	
10	021678-000	GASKET, PANTRY	1	EA	
11	021677-000	HOUSING, CONTROL	1	EA	
12	021717-000	SCREW	4	EA	
13	021675-000	ROD, TEMP CONTROL	1	EA	
14	021684-000	DIVIDER, PANTRY DRAWER	1	EA	
15	PS400087	DRAWER, PANTRY (67003530)	1	EA	
16	034508-000	DOOR, PANTRY DRAWER	1	EA	
17	021711-000	SCREW	4	EA	
18	021912-000	GLIDE, DRAWER	2	EA	
19	021771-000	KNOB, TEMP CONTROL	1	EA	
20	PS400076	END CAP, LH PANTRY	1	EA	
20	PS400077	END CAP, RH PANTRY	1	EA	
21	021676-000	SLIDE TEMPERATURE	4	EA	
22	PS400129	SCREW, SMALL (67006425)	1	EA	
23	021782-000	SHAFT-RACK	1	EA	
24	021801-000	LIFT-BALL ARM	1	EA	
25	021800-000	GEAR, LONG-RIGHT	1	EA	
26	026690-000	MOUNT-GEAR - RIGHT	1	EA	
27	028677-000	BASKET, FREEZER (UPPER)	1	EA	
28	022965-000	TRAY, LOWER BASKET	1	EA	
29	021802-000	BASKET, FREEZER (LOWER)	1	EA	
30	021803-000	DIVIDER, LOWER BASKET	1	EA	
31	021837-000	DIVIDER, UPPER BASKET	1	EA	

Item	Part No.	Name	Qty	Uom	NOTES
32	021805-000	GEAR, SHORT-LEFT	1	EA	
33	026691-000	MOUNT-GEAR - LEFT	1	EA	
34	021778-000	FRONT, CRISPER PAN	1	EA	
35	021761-000	CRISPER PAN	2	EA	
36	021832-000	TRIM, CRISPER	1	EA	
37	021762-000	FRAME, CRISPER	1	EA	
38	017076-000	GLIDE, PANTRY DRAWER	4	EA	
39	PS400067	GLASS, CRISPER (67006655)	1	EA	
40	021857-000	GASKET	1	EA	
41	021755-000	BRACE, CRISPER	1	EA	
42	021760-000	SLIDE, HUMIDITY CONTROL	1	EA	

UNIT



Item	Part No.	Name	Qty	Uom	NOTES
1	021666-000	DAM, RIGHT SIDE	1	EA	
2	026689-000	EVAPORATOR	1	EA	
3	021665-000	DAM, LEFT SIDE	1	EA	
4	021885-000	TRAY, DRIP	1	EA	
5	PS400124	CLIP, EVAPORATOR	1	EA	Not available online / Call for pricing and availability
6	021726-000	SCREW	1	EA	
7	022725-000	CLIP, DRIER	1	EA	
8	021731-000	SCREW	1	EA	
9	021824-000	SCREW, SHOULDER	1	EA	
10	021799-000	DRIER	1	EA	
11	021810-000	SHROUD	1	EA	
12	021893-000	MOTOR, FAN	1	EA	
13	021699-000	BLADE, FAN	1	EA	
14	028673-000	COMPRESSOR	1	EA	
15	021661-000	CAPACITOR	1	EA	
16	028674-000	START DEVICE	1	EA	
17	021750-000	GROMMET	4	EA	
18	021743-000	SCREW	1	EA	
19	021671-000	AXLE, ROLLER	2	EA	
20	021670-000	ROLLER	2	EA	
21	021821-000	BASEPAN	1	EA	
22	021853-000	PAN, DRAIN	1	EA	
23	PS400129	SCREW, SMALL (67006425)	1	EA	
24	021817-000	EXTENSION - BASEPAN	1	EA	
25	021818-000	FASTENER - BASEPAN	2	EA	
26	028675-000	TUBE, DISCHARGE	1	EA	
27	021798-000	CONDENSER	1	EA	
28	011560-000	GROMMET, COND	2	EA	
29	028349-000	HARNESS, EVAP. HEATER (INCLUDES DEFROST THERMOSTAT)	1	EA	
30	028676-000	STRAP, BALE	1	EA	

Item	Part No.	Name	Qty	Uom	NOTES
31	021835-000	HARNESS, UNIT WITH POWER CORD	1	EA	
32	021727-000	SCREW	1	EA	
33	021707-000	COVER-CONTROL BOX	1	EA	
34	021933-000	LID, HV BOX	1	EA	
35	022962-000	BOARD, CONTROL	1	EA	
36	021706-000	GASKET, HV BOX	1	EA	
37	021839-000	BOX, HV CONTROL	1	EA	
38	021687-000	HEATER, DEFROST	1	EA	
39	011548-000	CLIP, HEATER - SUBS TO 10428101	2	EA	



Appendix A:Pages Index

CABINET 1
FZ DOOR 2
FZ LINER 3
ICE MAKER 4
REF DOOR 5
REF LINER 6
SHELVES 7
UNIT 8

Appendix B:Parts Index

005401-000	6	021687-000	8
010915-000	3	021688-000	1
010916-000	3	021691-000	6
011488-000	1	021692-000	6
011497-000	3	021693-000	6
011508-000	3	021694-000	6
011548-000	8	021695-000	6
011560-000	8	021696-000	3
017004-000	1	021697-000	1
017060-000	4	021699-000	8
017076-000	7	021700-000	1
017097-000	5	021704-000	3
017159-000	5	021706-000	8
017162-000	5	021707-000	8
020629-000	1	021708-000	5
021452-000	1	021709-000	1
021567-000	2, 5	021710-000	3
021569-000	5	021711-000	1, 5, 7
021610-000	2, 5	021717-000	6, 7
021661-000	8	021724-000	3
021662-000	1	021725-000	6
021664-000	7	021726-000	8
021665-000	8	021727-000	8
021666-000	8	021728-000	1
021669-000	3	021730-000	1
021670-000	8	021731-000	8
021671-000	8	021733-000	1
021672-000	7	021734-000	1
021673-000	1	021735-000	6
021674-000	6	021736-000	3
021675-000	7	021737-000	3
021676-000	7	021738-000	3
021677-000	7	021739-000	3
021678-000	7	021741-000	3
021679-000	1	021743-000	8
021681-000	6	021747-000	5
021682-000	6	021750-000	8
021683-000	6	021753-000	5
021684-000	7	021755-000	7
021685-000	1	021756-000	7
		021758-000	5



021760-000	7	021835-000	8
021761-000	7	021837-000	7
021762-000	7	021838-000	7
021763-000	5	021839-000	8
021764-000	5	021840-000	3
021768-000	1	021846-000	7
021771-000	7	021847-000	1
021773-000	7	021848-000	1
021775-000	6	021849-000	3
021776-000	6	021850-000	3
021777-000	6	021851-000	3
021778-000	7	021852-000	3
021780-000	5	021853-000	8
021781-000	6	021856-000	5
021782-000	7	021857-000	7
021787-000	3	021859-000	5
021788-000	3	021860-000	5
021790-000	1	021861-000	5
021791-000	6	021862-000	5
021792-000	6	021868-000	5
021793-000	4	021869-000	2
021794-000	1	021874-000	3
021795-000	1	021877-000	3
021798-000	8	021885-000	8
021799-000	8	021893-000	8
021800-000	7	021910-000	7
021801-000	7	021912-000	7
021802-000	7	021916-000	1
021803-000	7	021917-000	3
021805-000	7	021918-000	2, 5
021810-000	8	021931-000	4
021811-000	4	021932-000	3
021817-000	8	021933-000	8
021818-000	8	021934-000	3
021819-000	6	021955-000	3, 6
021820-000	1	022157-000	6
021821-000	8	022725-000	8
021823-000	1	022840-000	6
021824-000	8	022952-000	6
021826-000	6	022962-000	8
021832-000	7	022965-000	7



026687-000 5
026689-000 8
026690-000 7
026691-000 7
026692-000 3
026700-000 4
028347-000 5
028349-000 8
028580-000 1
028672-000 2
028673-000 8
028674-000 8
028675-000 8
028676-000 8
028677-000 7
028679-000 5
028680-000 5
034463-000 6
034508-000 7
190896 3
PS400006 1
PS400031 6
PS400035 6
PS400037 6
PS400040 6
PS400053 3, 6
PS400067 7
PS400076 7
PS400077 7
PS400087 7
PS400090 3
PS400091 3
PS400092 3
PS400097 1
PS400103 1
PS400124 8
PS400129 1, 3, 6, 7, 7, 8
PS400139 3
PS400180 1
PS400185 1
PS400368 4